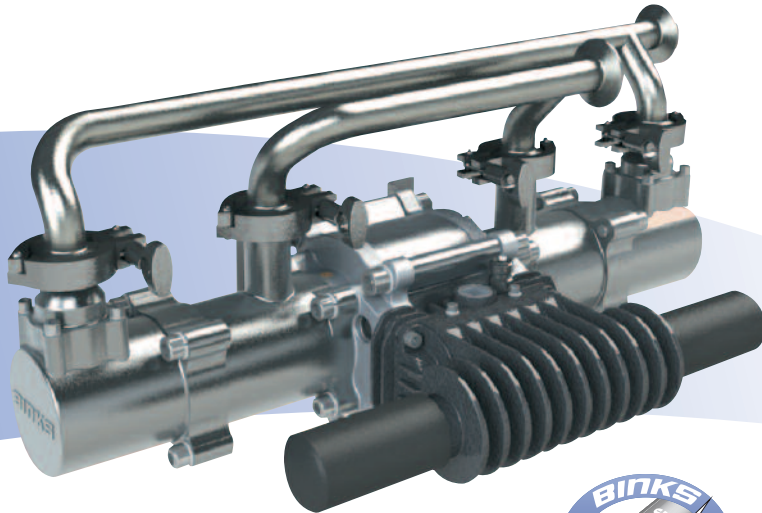


# BINKS MAPLE PUMP

## Maple 15/3 Air Driven Pump

The Maple Pump is a horizontal piston pump for pumping solvent/waterborne paints, solvents and other suitable materials.



---

Low Ice Air Motor using quick exhaust technology (Patented design)

---

Pneumatic spool and sleeve valves incorporating magnetic detent to eliminate stall condition (Patented feature)

---

Stainless steel fluid sections – ideal for waterborne, solvent based and xirallic materials

---

Tungsten carbide ball seats and ceramic coated pistons – ensure maximum operating life between servicing

---

High quality materials and surface treatments are used in the construction of this pump to ensure both extended operational life and good future appearance

---

Equal thrust on each stroke – gives equal flow pressure

---

No external exposed shaft packing's / seals eliminating the need for preventative maintenance

---

Sanitary inlet and outlet connections guarantee a smooth internal pipe connection without paint entrapment.

The unit combines an energy efficient air motor with low shear fluid section technology from the range of Smart Electric Pumps.

The Maple Pump achieves a reciprocating drive by using high technology ground steel spool and sleeve air valves to control the air motor reversal, providing reciprocating motion.

The patented air valve design ensures a positive magnetic detent for the main and pilot air valves thus removing the possibility for a stall condition.

The air motor also utilises the patented Binks Low Ice quick exhaust technology to prevent air valve freezing conditions when high cycle speeds are employed.

Equal thrust on each stroke due to the horizontal configuration incorporating the dual piston rod design gives a balanced fluid pressure output and reduces fluid pressure fluctuations to a minimum.

The air pump is furnished with twin exhaust mufflers to control exhaust noise emission. An adapter kit is available to facilitate connection to a remote exhaust system if required.

### Markets and Applications

- Air Assisted Airless and Airless paint supply
- Wood finishing flat line machines
- Rotary Finishing machines
- Most types of Automatic spray machines
- Multi gun and automatic gun supply
- Circulating systems

### Typical Materials and Coating Types

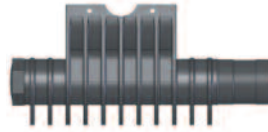
- Ultra Violet (UV) cure coatings
- Moisture sensitive materials
- Solvent and waterborne materials
- Catalysed spray coatings
- Stains, Varnish and lacquers
- Sealers and undercoats
- High solid coatings
- Abrasive materials



## Maple 15/3 Air Driven Pump

Specifications	
Part No.	104009
Recommended max. Continuous cycle rate	20 cycles/min (7.5lpm)
Intermittent cycle rate	40 cycles/min (15lpm)
Fluid volume/cycle	0.10 US Gal/0.375 L
Equivalent flow at 60 cycles/min	6 US Gal/22.5 L
Air volume/cycle	0.17scfm (4.8L/m) @ 45 psi (3.1 Bar)
Air volume/cycle	0.33scfm (9.3L/m) @ 90 psi (6.2 Bar)
15 cycles/min	5scfm (142L/m) @ 90 psi (6.2 Bar)
30 cycles/min	10scfm (283L/m) @ 90 psi (6.2 Bar)
Ratio	3:1
Max Air Inlet Pressure	6 Bar / 90 psi
Air inlet size	3/8" BSP/NPS
Inlet/Outlet fitting	1" Sanitary
Weight	46lbs/21kg

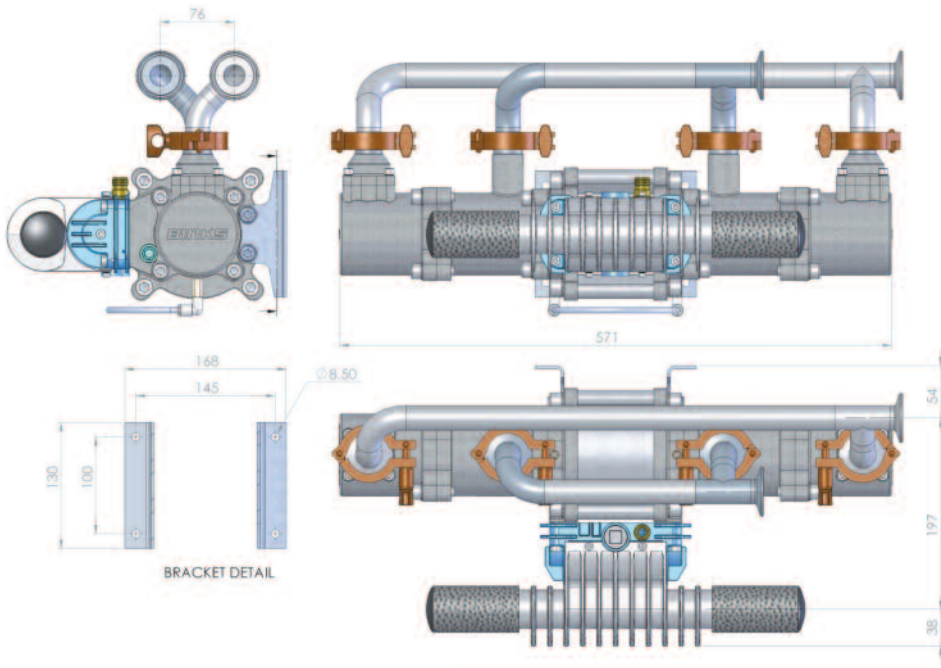
Accessories	
192006	1" Sanitary gasket
192009	1" Sanitary clamp
192779	Exhaust tube adapter (1" NB hose)
192803	1" Manifold plug



Detail for remote exhaust connection showing plug and tube adapter fitting.



*Binks Maple pump pistons are Ceramic-Coated – which is the most durable surface available. Resisting wear from highly abrasive fluids whilst reducing friction and extending the pump packing life cycle. Binks Ceramic-Coating is the ultimate choice for sliding components in pumps. More information on the benefits and advantages of Binks Ceramic-Coating is available upon request.*



For more technical information refer to the Maple Pumps Service Bulletin

### Sales and Service through our Global Network of Industrial Distributors

Finishing Brands Locations

Americas: **USA** ▪ **Mexico** ▪ **Brazil**  
 Europe/Asia/Africa: **United Kingdom** ▪ **France** ▪ **Germany**  
 Pacific Rim: **China** ▪ **Japan** ▪ **Australia**



www.finishingbrands.eu

email: marketing@finishingbrands.eu

